



# 08 DUNE CHASER™

EXHIBIT EXHIBIT

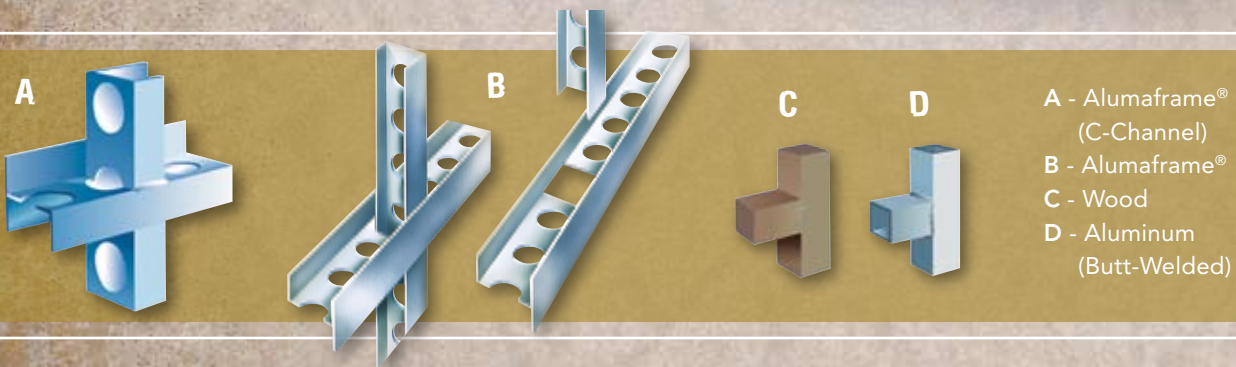
FIFTH WHEEL

BEHIND EVERY  
ADVENTURE.



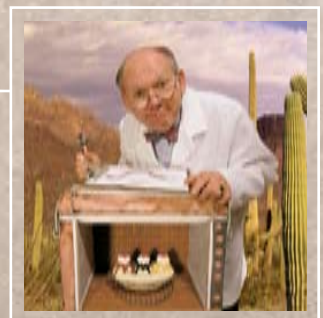
# SEE WHAT WE'RE MADE OF

The Dune Chaser features McKenzie's exclusive Alumaframe® superstructure. Our revolutionary system of aluminum H and C-Channel crossmembers runs the entire length of the unit, with double-welded intersections for added strength. This rigid design is both lighter and sturdier than wood or tubular aluminum frames — and much more reliable than butt-welded or screwed joint designs. From dirt roads to potholes, you can count on Alumaframe® to handle the relentless stresses of the road and provide superior structural integrity for many years to come.



## IT'S 101° OUTSIDE. DON'T LOSE YOUR COOL INSIDE.

How do you keep cool inside your RV when it's hot outside? McKenzie has the answer, with our exclusive, multi-layer insulation concept. Just ask Charlie. It's his job to see how we stack up with the competition. He tested McKenzie's ten-layer roof and six-layer wall construction against other RVs in a thermal chamber. The result: the temperature in the competing test unit rose approximately 30 percent more per hour on average than in the McKenzie test unit.\*

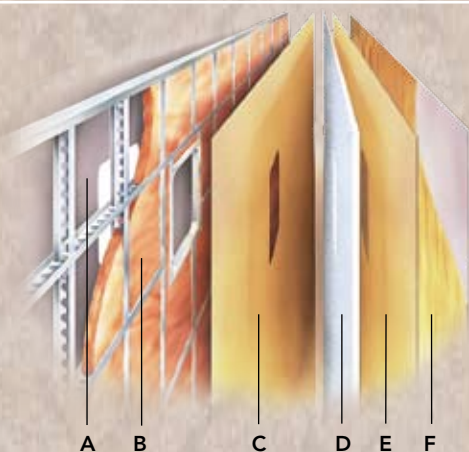


\*Test performed by an independent testing facility. Based on measurements taken every 15 minutes. For full details, visit your local dealer.

## 9-LAYER ROOF



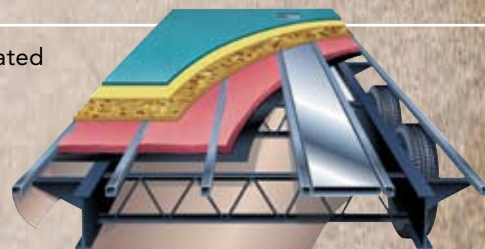
## 6-LAYER EXTERIOR WALL



- A High-gloss gel coat fiberglass is standard
- B Interlocking C-Channel filled with 1-1/2" fiberglass insulation bonded in place so it doesn't sag or leave spaces uninsulated
- C Vapor barrier
- D Bead foam adds comfort, saves energy and provides a thermal insulative barrier
- E Vapor barrier
- F Interior paneling

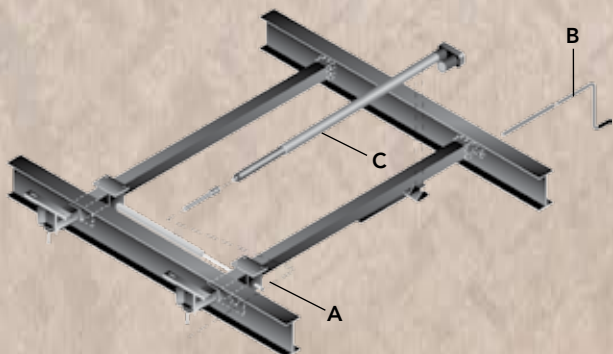
## 6-LAYER FLOOR

Your fifth wheel features a six-layer floor and a fully enclosed, heated and insulated underbelly. The smooth underbelly contains freshwater and wastewater tanks, dump valves, wiring harness and heating ducts, which help keep the fluid tanks from freezing and improve the overall insulation factor of your Dune Chaser. The smoothness of the underbelly provides unrestricted air flow that results in easier towing and improved gas mileage. And the outer shell of the undercarriage is made of rugged composite material that withstands damage from road debris. In addition, the frame is coated with a rust-inhibiting paint.



## SLIDE-OUT

When you purchase a McKenzie, you can be sure the slide-out boxes are some of the strongest and most reliable you'll find anywhere. They feature our exclusive multi-layer construction to give you maximum insulation and to reduce the chance of warping, twisting or shifting. In addition, the actuator has a mechanical room lock that is built in, and there are adjustable built-in stops for in and out positions.



- A Bearing packs are bolted in 4 places, locking the gear and rack in place.
- B A manual crank and extension rod comes standard with every unit, to serve as override if needed.
- C Actuator motor is positioned to provide smoother movement and reduce twisting on the slide-out room.



**BriteTek™ ROOF**  
It lasts longer and cuts down on black streaking.



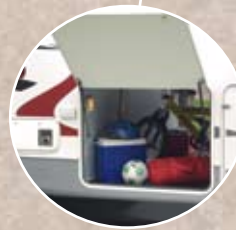
**CARRIER AIR CONDITIONER**  
13,500 BTUs of cooling power — with dehumidifier and remote control — come standard.



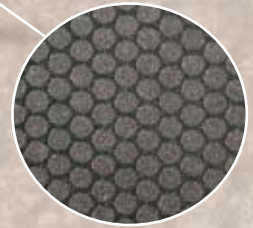
**FRAME-MOUNTED ENTRY STEPS**  
Securing the step to the frame enhances durability and easy entry.



**SEALED BEARING AXLES**  
Axles that provide maximum protection with no maintenance.



**EXTERIOR FRONT STORAGE**  
There's always more room for whatever you need with our Z-Frame pass-through storage.



**PVC FLOORING FOR STORAGE COMPARTMENT**  
A durable floor that resists gas, oils and chemicals.

<b>WEIGHTS*</b>	<b>30SK</b>	<b>34SKS</b>	<b>35SKS</b>	<b>38SKS</b>	<b>38FKD</b>	<b>38SKD</b>
Gross Vehicle Weight Rating	16,950	16,950	16,950	16,950	18,000	18,000
Hitch Weight	2,120	2,770	2,795	2,868	3,050	2,950
Axle(s) Weight	5200 (3)	5200 (3)	5200 (3)	5200 (3)	5200 (3)	5200 (3)
Unloaded Vehicle Weight	9,710	10,910	11,050	11,030	12,570	13,750
Net carrying Capacity (NCC)	7,240	6,040	5,900	5,920	5,430	TBD
Tire Size and Load Range	15" D	15" D	15" D	15" D	15" D	15" D
<b>Measurements</b>						
Overall Length	32' 6"	35' 6"	37' 10"	39' 10"	39' 10"	39' 10"
Overall Height (Including A/C)	12' 8"	12' 8"	12' 7"	12' 9"	13'	13'
Exterior Width	102"	102"	102"	102"	102"	102"
<b>Tank Capacities</b>						
Water Heater	10	10	10	10	10	10
Grey Tank	50	50	50	50	50/50	50/50
Black Tank	50	50	50	50	50	50
Fresh Tank (2 - 65 gallon)	130	130	130	130	130	130
L.P. Tank**	30 (2)	30 (2)	30 (2)	30 (2)	30 (2)	30(2)

\* Weights may vary by options.

\*\* Variances in the fabrication and installation of the tanks may cause the actual "usable capacity" to be greater or less than the capacities designated above.

\*\*\* Actual filled LP capacity is 80% of listing due to safety shut-off required on tank.

Due to the large variety of options and floorplan arrangements available to our customers, actual weights for each unit can differ significantly. McKenzie provides a weight sticker on each unit we produce which includes that unit's tank capacities and approximate weight. Consult your local McKenzie dealer for unit availability and further information.

The information printed in this brochure reflects product design, fabrication, and component parts at the date of printing. The manufacturer reserves the right, at any time, to make changes in product design or material or component specifications as its sole option, without notice. This includes

the substitution of components of a different brand or trade name, which will result in comparable performance. All information printed in this brochure is subject to change after the date of printing. Some features shown or mentioned in this brochure are optional and may only be available in selected floorplans. Photographs may show props or decorations that are not standard equipment on McKenzie models. McKenzie, the McKenzie logo and its design, are registered trademarks. All other products and company names are trademarks and/or registered trademarks of their respective holders.

While the color of the towable's exterior and the interior fabrics depicted in this sales brochure are fair and reasonable depictions, the colors depicted may not be an exact match of the actual colors because of the variances in photo-processing and variances caused by inserting the photographs within the sales brochure. Due to product improvements, changes during the model year and/or transcription errors that may

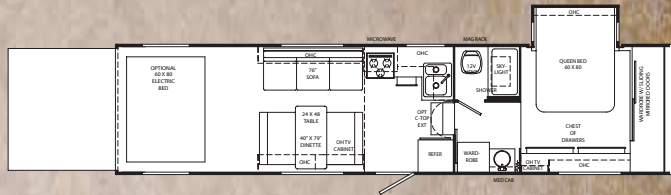
occur, information represented within this brochure may not be accurate at the time of your purchase. If certain information is significant to your purchasing decision, please confirm the information with your dealer prior to submitting your order.

The actual overall length of the recreational vehicle may differ from that indicated in the brochure due to variances in the manufacturing process and/or installed components. The actual length may be greater or less than that indicated.

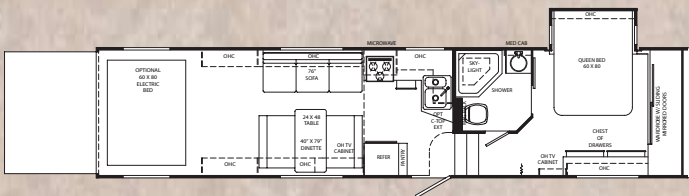
Component part and appliance manufacturers issue limited warranties covering those portions of the recreational vehicle not covered by the Limited Warranties issued by Monaco Coach Corporation. To learn which specific component parts and appliances are excluded from the Limited Warranties issued by Monaco Coach Corporation, please contact your selling dealership or Monaco Coach Corporation directly, or review the warranty packet inside the recreational vehicle.



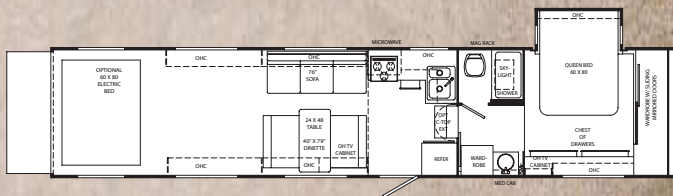
30SK



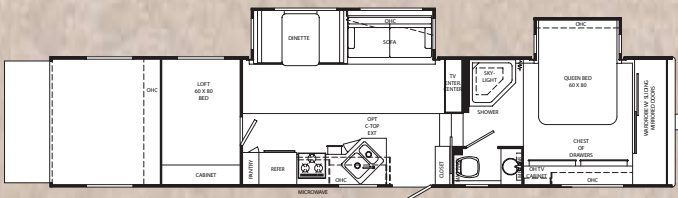
34SKS



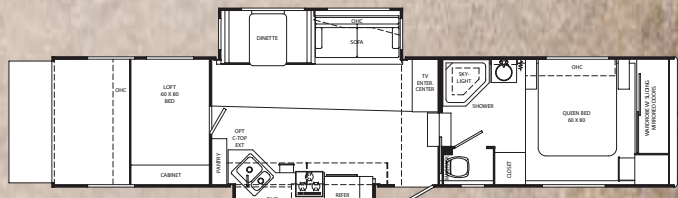
35SKS



38SKS



38FKD



38SKD

## BODY AND FRAME CONSTRUCTION FEATURES & OPTIONS

- › 102" Wide Body
- › Alumaframe Construction
- › Z-Frame Platform (N/A: 30SK, 34SKS, 35SKS, 38SKS)
- › Smooth .040 Aluminum Exterior Walls
- › Front Molded Fiberglass Cap
- › 3/8" Foam Core, Thermal Barrier Laminated Sidewall Structure
- › Spare Tire Prep with Carrier Frame Recessed into Underbelly
- › 1-1/2" Steel Framed Sub-Floor
- › Steel Framed and Insulated Bathroom Floor
- › 9-Flush Mounted Tie-Downs - 2500 lb Capacity
- › Polished Anodized Diamond Plate Cargo Wall Protector
- › Aluminum Roof Structure with Double I-Beam Roof Rafter 16" On-Center
- › 9-Layer Roof and 6-Layer Sidewall Construction
- › Brite TEK™ Exterior Roof Material
- › Shock Absorbers
- › 15" Radial Tires (N/A: 30SK)
- › Stylized 15" Aluminum Wheels with Chrome Center Hub
- › Enclosed and Heated Underbelly
- › PVC Floor in Alcove Storage Area (N/A: 30SK, 34SKS, 35SKS, 38SKS)
- › Linoleum Flooring in Alcove Storage Area (30SK, 34SKS, 35SKS, 38SKS)
- › Gel Coat, Insulated Oversized Exterior Storage Door with Gas Struts (N/A: 30SK, 34SKS, 35SKS, 38SKS)
- › Beaver Tail Floor
- › 2500 lb. Rated Ramp Door
- › Recessed Spare Tire with Sport Wheel
- › Flip Over Transition Ramp
- › Electric Winch - With Tether Remote (30SK, 34SKS, 35SKS, 38SKS)
- › Smooth Gel Coat Fiberglass Sidewalls

## APPLIANCES FEATURES & OPTIONS

- › 8 cu.ft. 2-Way Refrigerator
- › Raised 6 Panel Wood Refrigerator Door Insert
- › High Output 3-Burner Range with Oven
- › Microwave with Touch Control
- › 10 cu. ft. 2 way Refrigerator
- › Convection Microwave
- › Roll-Out Pantry with Cabinet with 3 Baskets (N/A: 30SK, 34SKS, 35SKS)
- › 23" LCD Color TV with Remote and Mounting Brackets Living Area (38SKD)
- › 27" LCD Color TV with Remote and Mounting Brackets Living Area (N/A: 38SKD)
- › 14.5" LCD Color TV with Remote Control in Bedroom
- › Satellite Radio
- › Cargo Electric Queen Bed with 2-24" Flush Mount Clothes Hangers (N/A: 38FKD, 38SKD)
- › Cargo Double Electric Queen Bunk Bed with Fold-Over Sofa with 2-24" Flush Mount Clothes Hangers (N/A: 38FKD, 38SKD)
- › Built in Vacuum with Deluxe Tools
- › Built-in-safe

## INTERIOR FEATURES & OPTIONS

- › Newport Cherry Cabinets
- › Laminate Kitchen Countertop - Galley and Lavatory
- › Utility Center by Entrance Door (Systems Monitor Panel, Water Pump, Water Heater, S/O Switches, Fuel Pump Timer, Gauges and Exterior Light Switches)
- › Linoleum in Kitchen, Bath and Entry
- › Decors: Cactus, Coffee
- › Kitchen Countertop Extension
- › Surged Carpet for Cargo Area (N/A: 38FKD, 38SKD)
- › Cargo Privacy Screen (Standard on 38SKD)
- › Utility Center - Folding Table with Shelves (Available with Divider Wall) (N/A: 30SK, 35SKS, 38SKS)

## FURNITURE FEATURES & OPTIONS

- › Queen Bed in Slide-Out with Front Wardrobe and Chest of Drawers (N/A: 30SK)
- › Queen Bed with Shirt Closet and Nightstand (30SK)
- › Polyethylene Indoor/Outdoor Table (N/A: 38FKD, 38SKD)
- › One (1) 76" Flip-Over Jackknife Sofa with Quick Release and Embroidered Logo - Road Side (N/A: 38FKD, 38SKD)
- › One (1) Jackknife Sofa - Roadside (38FKD, 38SKD)
- › Two (2) 24" Flush Mount Clothes Hangers
- › One (1) Booth Dinette (38FKD, 38SKD)
- › 40" x 60" Flip-Over Jackknife Dinette with Quick Release and Embroidered Logo - Curbside (N/A: 38FKD, 38SKD)
- › Queen Bed Slide-Out with Chest of Drawers, Decorative Slide-out Fascia and Overhead Storage (38FKD, 38SKD)
- › Hide-A-Bed Sofa (38FKD, 38SKD)
- › Second Flip-Over Jackknife Sofa with Quick Release and Embroidered Logo - Road Side (N/A with Cargo Electric Bed option)
- › Flip-Over Jackknife Sofa in Cargo Area with Quick Release and Embroidered Logo - Road Side (38FKD, 38SKD)
- › Two (2) Additional Barrel Chairs (34SKS, 35SKS, 38SKS)

## ELECTRICAL SYSTEMS AND LIGHTS FEATURES & OPTIONS

- › 12V Sirius Ready AM/FM Weather Band Receiver with CD/DVD Player with 4 Interior 3-Way Speakers, 2 Polypropylene Waterproof Marine Speakers, 720 watt Amplifier, 10" Subwoofer and Interior/Exterior RF Remote Capability
- › Electrical Management System (50AMP/12V With 55 AMP Conv.)
- › Four (4) Exterior Recessed Docking Lights
- › LED Tail Lights
- › Disconnect and Battery Box
- › Cable TV, Telephone and Electrical Outlet Hook-up in Basement Storage
- › Cable TV/DSS/ VCR Ready with Video Box
- › Solar Prep
- › TV Antenna with Cable Box
- › Emergency Pump Station Shut-Off Switch (with Optional Pump Station)
- › Dual Exterior Cable/Satellite Receptacle
- › One 12v Deep Cycle Battery with Disconnect
- › Two 12v Deep Cycle Battery with Disconnect
- › Inverter - 600 watt (Requires Two Batteries)
- › Generator Prep 5.5KW-20 gal\*\* Fuel Tank, Remote Switch with Hour Meter, Fuel Gauge
- › 5.5 kw Marquis Gold Gas Onan Generator with 20 gallon\*\* Tank (Prep Required)
- › Door Side Pump Station with 40 Gallon Tank, Timer Switch and Fuel Gauges in Utility Center

## PLUMBING AND LP FEATURES & OPTIONS

- › Large Stainless Steel Kitchen Sink with Brushed Nickel Single Handle Pull-out Faucet
- › 10-Gallon L.P. Gas/Electric Water Heater with Electronic Ignition (DSI)
- › Stainless Steel Bathroom Sink with Brushed Nickel Faucet
- › Brushed Nickel Shower Hose and Head
- › ABS Shower with One-Piece Surround and Curtain (N/A: 38SKS)
- › Lighted Water management System with Drain, Spray-Port Water Sprayer with 15' Polyurethane Hose, Outside Shower with Hot and Cold, Soap Dispenser, Paper Towel Holder
- › ABS Tub/Shower with Curtain (38SKS)
- › Water Heater By-pass Kit
- › No-Fuss Flush Holding Tank Rinsing System
- › Two 30 lb. L.P. Tanks with Automatic Changeover and Cover
- › Shower with Sliding Glass Door (38SKS)
- › ABS Shower with One-Piece Surround with Glass Door (38SKS)

## HEATING VENTS AND AIR CONDITIONING FEATURES & OPTIONS

- › One Carrier 13,500 BTU Rooftop Air Conditioner with Dehumidifier and Remote Control
- › 35M BTU Hydroflame Electronic Ignition Furnace (30SK)
- › 40M BTU Hydroflame Electronic Ignition Furnace (N/A: 30SK)
- › Ducted Heating System
- › Wire Prep and Ducting for 2nd A/C with Optional 50 amp Service
- › One Carrier 15,000 BTU Rooftop A/C ILO 13,500 BTU with Dehumidifier and Remote Control
- › Second Carrier 13,500 BTU Rooftop A/C with Dehumidifier and Remote Control in Cargo Area (Requires 50 amp Service Opt.)

## WINDOW, DOORS AND AWNINGS FEATURES

- › Checkered Flag Texturized Fabric Awning
- › Tinted Skylight in Bathroom
- › Window in Stool Room (N/A: 30SK, 34SKS, 35SKS)
- › Rear Entry Door (N/A: 30SK, 34SKS, 35SKS)
- › Electric Patio Awning with Metal Cover
- › Slide-Out Awning (N/A: 30SK, 34SKS, 35SKS)
- › Kitchen Slide-out Cover (38SKD)
- › Bedroom Slide-out Cover (N/A: 30SK)
- › Rear Door Awning
- › Swing-Out Entry Door Handle

## WINDOW TREATMENTS FEATURES

- › Pleated Day/Blackout Shades in Living Area and Bedroom (N/A: 30SK, 34SKS, 35SKS, 38SKS)

## ADVANTAGE PACKAGE FEATURES

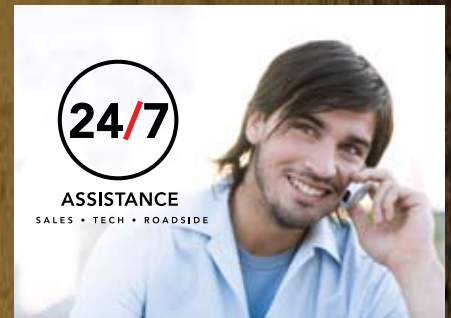
- › 5 Year Structural Warranty
- › Z-Frame Construction (N/A: 30SK, 34SKS, 35SKS, 38SKS)
- › Alumaframe Superstructure
- › Steel Framed Floor
- › Recessed Spare Tire Carrier
- › Alaskan Package (Enclosed and Heated Underbelly, Heated Alcove Storage Area, Insulated Bathroom Floor, 9-Layer Roof and 6- Layer Sidewall)
- › Independent Front Power Landing Jacks (N/A: 30SK, 34SKS, 35SKS)
- › Polished Anodized Diamond Plate Cargo Wall Protector
- › Heavy Duty Protective PVC Flooring in Cargo Area



Thank you for your interest in McKenzie. As a division of the world's leading RV manufacturer, Monaco Coach Corporation, we have one simple goal: design and build the best fifth wheels and travel trailers in the business. The remarkable Medallion fifth wheel comes with the kind of legendary customer service and technical support you'd expect with a world-class towable. When you're on the road, know that we've got your back.

Whatever your passion, wherever your adventure takes you, McKenzie understands the value of playtime. To have a better RV experience, you've got to have one thing — a better RV. The 2008 Dune Chaser.

## BEHIND EVERY ADVENTURE.



### WE'RE HERE. ANYTIME, EVERY TIME.

- Reach us anytime — literally — via our live customer support line.
- Drive in to one of our 350 Service Centers.
- Enjoy the first year free when you enroll in our Owner Advantage Roadside Assistance Program.
- See where it all begins with a tour of one of our facilities in Indiana or Oregon. Call **1-800-650-7337** or **1-800-634-0855** to find out more.



### MCKENZIERV.COM IS ALWAYS ON

Visit our website anytime to find up-to-date product news and information. Need a dealer? Find one here. Want a listing of club events? Get it here. You can even take a factory tour. It's also the fastest way to contact us via e-mail.

**MCKENZIERV.COM**

### WARRANTIES

12 Month basic limited warranty

5 Year limited warranty on aluminum or steel frame structure of sidewall, roof, front and rear cap

Applies to certain models. See owner's manual for complete details.



McKenzie, a division of Monaco Coach Corporation  
606 Nelson's Parkway, Wakarusa, Indiana 46573  
Telephone 800.634.0855 or Fax 541.681.8842  
Visit our website at [www.mckenzierv.com](http://www.mckenzierv.com)  
Monaco Coach is traded on the NYSE under the symbol MNC.  
Litho in USA 0607 8408DUNE