



08 LAKOTA[®] FIFTH WHEEL

BEHIND EVERY
ADVENTURE.



BEHIND EVERY ADVENTURE



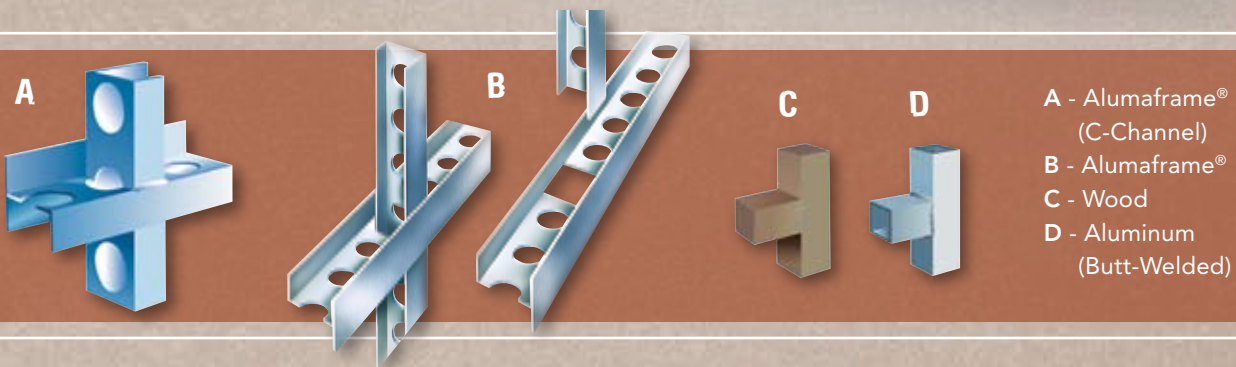






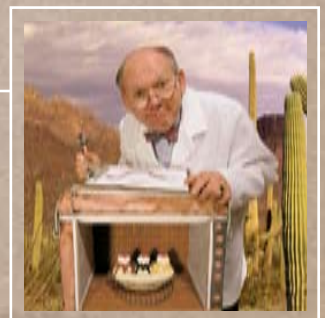
SEE WHAT WE'RE MADE OF

The Lakota features McKenzie's exclusive Alumaframe® superstructure. Our revolutionary system of aluminum H and C-Channel crossmembers runs the entire length of the unit, with double-welded intersections for added strength. This rigid design is both lighter and sturdier than wood or tubular aluminum frames — and much more reliable than butt-welded or screwed joint designs. From dirt roads to potholes, you can count on Alumaframe® to handle the relentless stresses of the road and provide superior structural integrity for many years to come.



IT'S 101° OUTSIDE. DON'T LOSE YOUR COOL INSIDE.

How do you keep cool inside your RV when it's hot outside? McKenzie has the answer, with our exclusive, multi-layer insulation concept. Just ask Charlie. It's his job to see how we stack up with the competition. He tested McKenzie's ten-layer roof and six-layer wall construction against other RVs in a thermal chamber. The result: the temperature in the competing test unit rose approximately 30 percent more per hour on average than in the McKenzie test unit.*

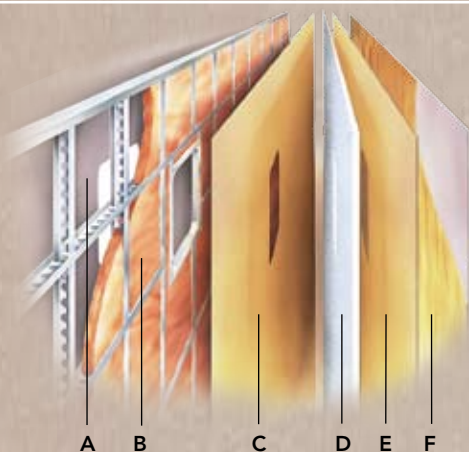


*Test performed by an independent testing facility. Based on measurements taken every 15 minutes. For full details, visit your local dealer.

9-LAYER ROOF



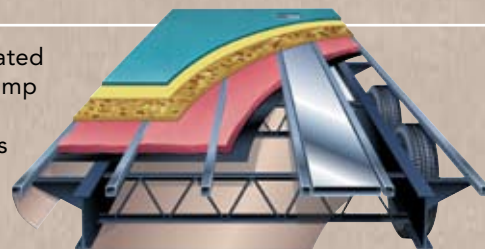
6-LAYER EXTERIOR WALL



- A High-gloss gel coat fiberglass is standard
- B Interlocking C-Channel filled with 1-1/2" fiberglass insulation bonded in place so it doesn't sag or leave spaces uninsulated
- C Vapor barrier
- D Bead foam adds comfort, saves energy and provides a thermal insulative barrier
- E Vapor barrier
- F Interior paneling

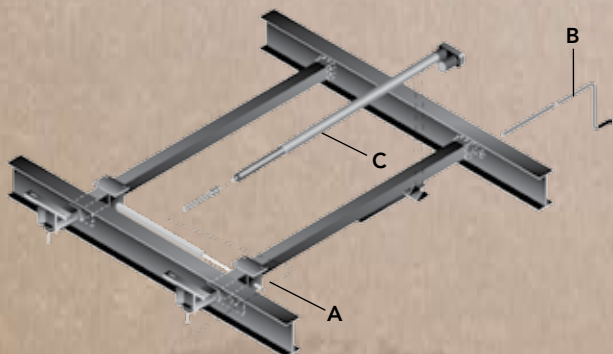
6-LAYER FLOOR

Your fifth wheel features a six-layer floor and a fully enclosed, heated and insulated underbelly. The smooth underbelly contains freshwater and wastewater tanks, dump valves, wiring harness and heating ducts, which help keep the fluid tanks from freezing and improve the overall insulation factor of your Lakota. The smoothness of the underbelly provides unrestricted air flow that results in easier towing and improved gas mileage. And the outer shell of the undercarriage is made of rugged composite material that withstands damage from road debris. In addition, the frame is coated with a rust-inhibiting paint.



SLIDE-OUT

When you purchase a McKenzie, you can be sure the slide-out boxes are some of the strongest and most reliable you'll find anywhere. They feature our exclusive multi-layer construction to give you maximum insulation and to reduce the chance of warping, twisting or shifting. In addition, the actuator has a mechanical room lock that is built in, and there are adjustable built-in stops for in and out positions.



- A Bearing packs are bolted in 4 places, locking the gear and rack in place.
- B A manual crank and extension rod comes standard with every unit, to serve as override if needed.
- C Actuator motor is positioned to provide smoother movement and reduce twisting on the slide-out room.



BriteTek™ ROOF
Tough exterior barrier for our famous 9-layer roof.



CARRIER AIR CONDITIONER
13,500 BTUs of cooling power come standard. You can also bump up to a 15,000 BTU high-capacity unit.



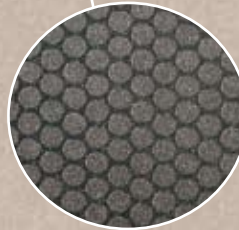
EXTERIOR FRONT STORAGE
116 cubic feet of storage means there's always more room for whatever you need.



SEALED BEARING AXLES
These axles translate to no maintenance and maximum protection.



FRAME-MOUNTED ENTRY STEP
Securing the step to the frame enhances durability and easy entry.



PVC FLOORING FOR STORAGE COMPARTMENT
Our durable flooring will stand up to any of your storage needs.

WEIGHTS*	29CKD	32CKQ	33CKT	34BHT
Gross Vehicle Weight Rating	14,400	14,400	14,400	14,400
Axle(s) Weight	6,000	6,000	6,000	6,000
Unloaded Vehicle Weight	9,300	10,830	10,520	10,660
Net carrying Capacity (NCC)	5,100	3,520	3,880	3,740
Tire Size and Load Range	16" E	16" E	16" E	16" E
Measurements				
Overall Length	31' 10"	34' 10"	35' 10"	36' 3"
Overall Height (Including A/C)	153"	153"	153"	154"
Exterior Width	98"	98"	98"	98"
Tank Capacities				
Water Heater	10	10	10	10
Grey Tank	40/40	40/40	40/40	40/40
Black Tank	40	40	40	40/40
Fresh Tank	50	50	50	50
L.P. Tank	30 (2)	30 (2)	30 (2)	30 (2)

* Weights may vary by options.

** Variances in the fabrication and installation of the tanks may cause the actual "usable capacity" to be greater or less than the capacities designated above.

*** Actual filled LP capacity is 80% of listing due to safety shut-off required on tank.

Due to the large variety of options and floorplan arrangements available to our customers, actual weights for each unit can differ significantly. McKenzie provides a weight sticker on each unit we produce which includes that unit's tank capacities and approximate weight. Consult your local McKenzie dealer for unit availability and further information.

The information printed in this brochure reflects product design, fabrication, and component parts at the date of printing. The manufacturer reserves the right, at any time, to make changes in product design or material or component specifications as its sole option, without notice. This includes

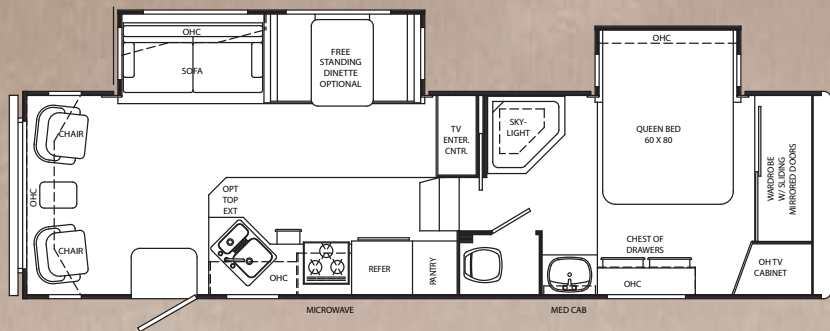
the substitution of components of a different brand or trade name, which will result in comparable performance. All information printed in this brochure is subject to change after the date of printing. Some features shown or mentioned in this brochure are optional and may only be available in selected floorplans. Photographs may show props or decorations that are not standard equipment on McKenzie models. McKenzie, the McKenzie logo and its design, are registered trademarks. All other products and company names are trademarks and/or registered trademarks of their respective holders.

While the color of the towable's exterior and the interior fabrics depicted in this sales brochure are fair and reasonable depictions, the colors depicted may not be an exact match of the actual colors because of the variances in photo-processing and variances caused by inserting the photographs within the sales brochure. Due to product improvements, changes during the model year and/or transcription errors that may

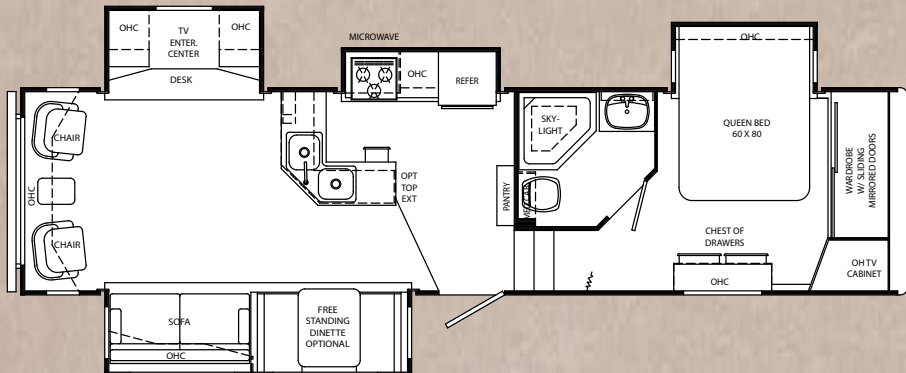
occur, information represented within this brochure may not be accurate at the time of your purchase. If certain information is significant to your purchasing decision, please confirm the information with your dealer prior to submitting your order.

The actual overall length of the recreational vehicle may differ from that indicated in the brochure due to variances in the manufacturing process and/or installed components. The actual length may be greater or less than that indicated.

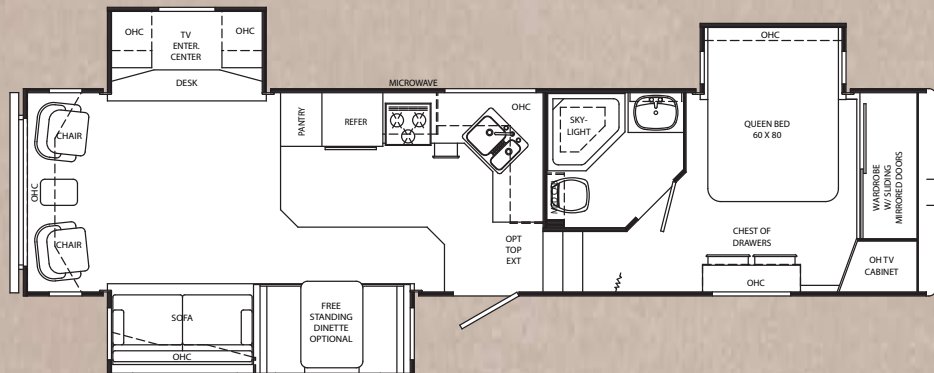
Component part and appliance manufacturers issue limited warranties covering those portions of the recreational vehicle not covered by the Limited Warranties issued by Monaco Coach Corporation. To learn which specific component parts and appliances are excluded from the Limited Warranties issued by Monaco Coach Corporation, please contact your selling dealership or Monaco Coach Corporation directly, or review the warranty packet inside the recreational vehicle.



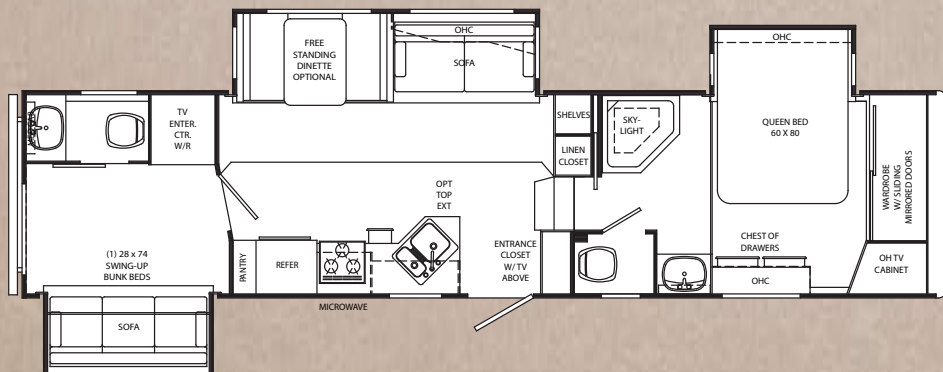
29CKD



32CKQ



33CKT



34BHT

BODY AND FRAME CONSTRUCTION FEATURES & OPTIONS

- › Alumaframe Superstructure
- › 10" I-Beam Frame
- › Smooth .040 Aluminum Exterior Walls
- › Front Molded Fiberglass Cap
- › Main Slide-Out House, 6'-1" Head Room
- › 3/8" Foam Core, Thermal Barrier, Laminated
- › Sidewall Structure
- › Rear Bay Cap with Oversized Windows (N/A: 34BHT)
- › Prep For Spare Tire
- › 1-1/2" Steel Framed Sub-Floor
- › Laminated 5/8" Sturdi-Wood Floor
- › Laminated Bath Deck
- › Aluminum Roof Structure with Double I-Beam Roof Rafter 16" On-Center
- › 9-Layer Roof and 6-Layer Sidewall Construction
- › Brite TEK™ Exterior Roof Material
- › Flat Floor Slide-Out - Main Living Area
- › Enclosed and Heated Underbelly
- › Insulated Bathroom Floor
- › Radial Tires
- › Stylized 16" Aluminum Rims
- › Ladder
- › Stabilizer Jacks
- › Shock Absorbers
- › Spare Tire with Sport Wheel Recessed into Underbelly
- › High Gloss Gelcoat Fiberglass Sidewalls

APPLIANCES FEATURES & OPTIONS

- › 8 cuft. Refrigerator
- › Microwave with Touch Control
- › Wedgwood High Output 3-Burner Range with Oven
- › Systems Monitor Panel - Battery Charge, Holding Tank Levels, Gas/Electric Water Heater and Water Pump Switch
- › Adjustable Pantry Shelves
- › Home Theater Surround Sound System
- › 23" LCD TV with HD Tuner and Mounting Bracket

INTERIOR FEATURES & OPTIONS

- › Newport Cherry Cabinets
- › Raised Panel Refrigerator Door
- › Decorative Slide-Out Room Fascia with Trim and Accents
- › Laminate Countertop with Corian Accent Edge
- › TV Shelf in Bedroom
- › Armstrong Linoleum in Kitchen, Bathroom and Entry Area
- › Decorative Glass in Overhead Cabinet Doors
- › Décors: New Latte, Sage Meadow
- › Kitchen Countertop Extension - End of Counter Top

FURNITURE FEATURES & OPTIONS

- › Bedroom Slide-Out with Chest of Drawers
- › Wood Booth Dinette with End Door and Arched Back Cushions
- › Fabric Glider Recliner (N/A: 34BHT)
- › Hide-A Bed Sofa
- › Hide-A-Bed Sofa Slide Out - Roadside (34BHT)
- › Swing-up Bunk Bed (34BHT)
- › High Back Desk Chair (32CKQ, 33CKT)
- › Free-Standing Dinette Table with Four Wood Chairs

WINDOW TREATMENTS FEATURES

- › Rear Window with Pleated Day/Blackout Shade (N/A: 34BHT)
- › Pleated Day/Black Out Shades in Living Area and Bedroom

ELECTRICAL SYSTEMS AND LIGHTS FEATURES & OPTIONS

- › Decorative Wall Light in Living Area
- › Water Heater Switch
- › Electrical Management System - 30AMP (12V With 55AMP Conv.)
- › Two Exterior Security Lights
- › Disconnect and Battery Box
- › Telephone and Electrical Outlet
- › Solar Prep
- › TV Antenna with Signal Booster
- › Cable TV Hook-up
- › 50 amp Electrical Management Service
- › Generator Prep

PLUMBING AND LP SYSTEMS FEATURES & OPTIONS

- › Stainless Steel Kitchen Sink with High Profile Single Handle Faucet
- › 10 gal. L.P. Gas/Elect. Water Heater
- › Bathroom Sink with Brushed Nickel Faucet
- › Brushed Nickel Shower Fixtures
- › Brushed Nickel Shower Hose and Head
- › Shower with Glass Door
- › Lighted Water management System with Drain, Spray-Port Water Sprayer with 15' Polyurethane Hose, Outside Shower with Hot and Cold
- › Water Heater By-pass Kit
- › No-Fuss Flush Holding and Tank Rinsing System
- › Two 30 lb. L.P. Tanks with Automatic Changeover
- › Water Filter System in Kitchen

HEATING, VENTS AND AIR CONDITIONING FEATURES & OPTIONS

- › 35M BTU Hydroflame Electronic Ignition Furnace
- › In-floor Ducted Heating System
- › One Carrier 13,500 BTU Rooftop Air Conditioner with Remote Control
- › Wire Prep and Ducting for 2nd A/C with Optional 50 amp Service
- › Ceiling Fan
- › One Carrier 15.0 High Capacity Rooftop A/C with Remote Control
- › Second Carrier 13,500 BTU Rooftop A/C with Remote (Requires 50 amp Service Opt.)
- › Attic Fan with Wall Control

WINDOWS, DOORS AND AWNINGS FEATURES & OPTIONS

- › Dark Tinted Radius Windows
- › Tinted Skylight in Bathroom
- › Patio Awning
- › Swing-Out Entry Door Handle
- › Window in Stool Room
- › Dual Pane Windows with Dark Tint
- › SlideOut Awning or Cover on Specific Houses

ADVANTAGE PACKAGE FEATURES

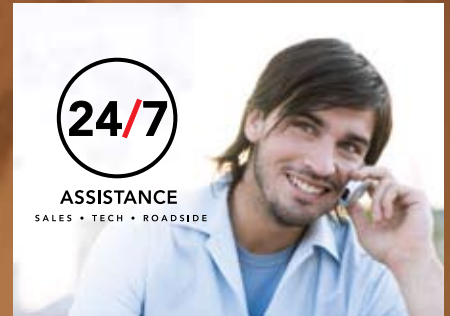
- › 5 Year Structural Warranty
- › Alumaframe Superstructure
- › Steel Framed Sub-Floor
- › Recessed Spare Tire Carrier
- › Alaskan Package (Enclosed and Heated Underbelly, Insulated Alcove Storage Area, 9-Layer Roof and 6-Layer Sidewall Construction)
- › One Carrier 13,500 BTU Rooftop Air Conditioner with Remote Control
- › Home Theater Surround Sound System
- › Disconnect and Battery Box



Thank you for your interest in McKenzie. As a division of the world's leading RV manufacturer, Monaco Coach Corporation, we have one simple goal: design and build the best fifth wheels and travel trailers in the business. The remarkable Medallion fifth wheel comes with the kind of legendary customer service and technical support you'd expect with a world-class towable. When you're on the road, know that we've got your back.

Whatever your passion, wherever your adventure takes you, McKenzie understands the value of playtime. To have a better RV experience, you've got to have one thing — a better RV. The 2008 Lakota.

BEHIND EVERY ADVENTURE.



ASSISTANCE
SALES • TECH • ROADSIDE

WE'RE HERE. ANYTIME, EVERY TIME.

- Reach us anytime — literally — via our live customer support line.
- Drive in to one of our 350 Service Centers.
- Enjoy the first year free when you enroll in our Owner Advantage Roadside Assistance Program.
- See where it all begins with a tour of one of our facilities in Indiana or Oregon. Call **1-800-650-7337** or **1-800-634-0855** to find out more.



MCKENZIERV.COM IS ALWAYS ON

Visit our website anytime to find up-to-date product news and information. Need a dealer? Find one here. Want a listing of club events? Get it here. You can even take a factory tour. It's also the fastest way to contact us via e-mail.

MCKENZIERV.COM

WARRANTIES

12 Month basic limited warranty

5 Year limited warranty on aluminum or steel frame structure of sidewall, roof, front and rear cap

Applies to certain models. See owner's manual for complete details.



McKenzie, a division of Monaco Coach Corporation
606 Nelson's Parkway, Wakarusa, Indiana 46573
Telephone 800.634.0855 or Fax 541.681.8842
Visit our website at www.mckenzierv.com
Monaco Coach is traded on the NYSE under the symbol MNC.
Litho in USA 0607 8408LAK